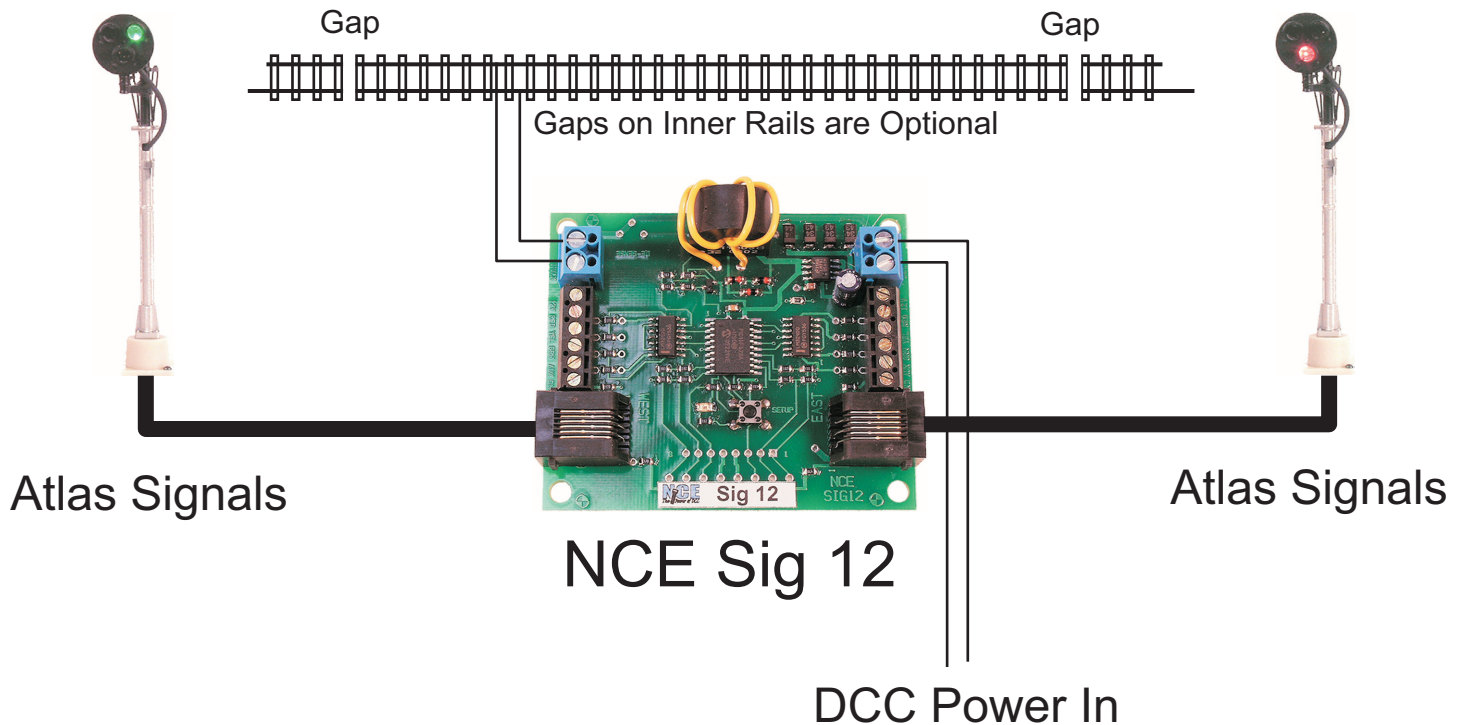


The 10 MINUTE Signal System



Get a Sig 12 and Atlas Signals
1 - Gap Rails
2 - Wire it up
3 - Plug it in
Watch 'em work!!

- Works with Double Gapped or Common Rail Layouts
- Can operate ANY Signals on the Market (searchlight, 2/3 light, position light, etc.)
 - Up to 32 different Aspects
 - Each Sig 12 operates 2 Signal Heads
- Simple Signals to FULL Prototype with Interlockings
 - Automatic Operation can be Overridden by Computer or CTC Panel if Desired